



Package Contents



UniFi AP FlexHD



Base Mount



Outdoor Mount



Wall/Pole Mount



PoE Adapter* (48V, 0.32A)



Power Cord



Zip Ties (Qty. 2)



Screws (Qty. 2)



Screw Anchors (Qty. 2)

** Included only in the single-pack of the UAP-FlexHD*

Installation Requirements

- Phillips screwdriver
- Cat5/6 UTP cable for indoor installations
- Shielded Category 5 (or above) cabling should be used for all outdoor wired Ethernet connections and should be grounded through the AC ground of the PoE.

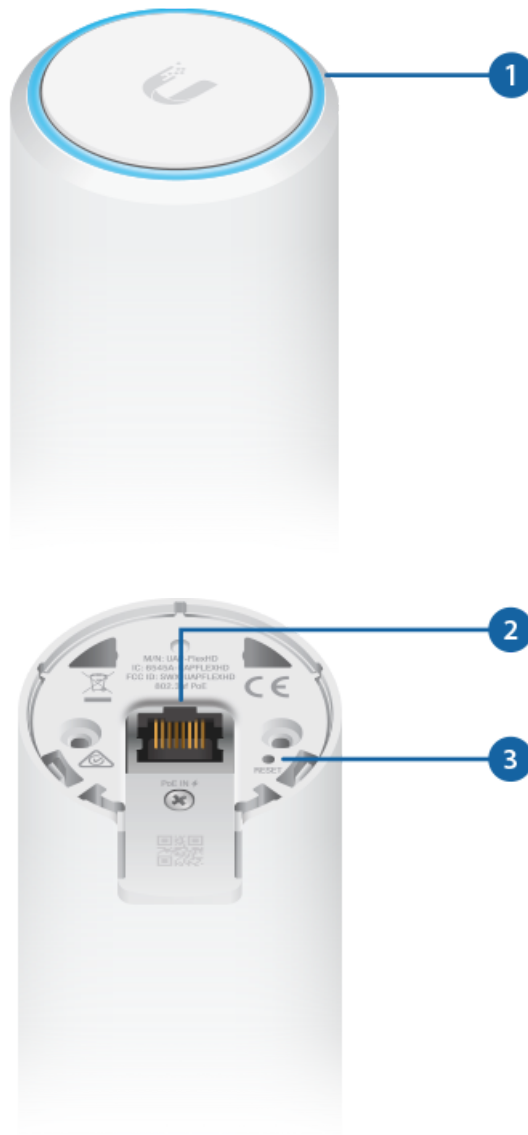
System Requirements



Windows 7/8/10

- Java Runtime Environment 1.8 or above recommended
- Web Browser: Google Chrome (Other browsers may have limited functionality.)
- UniFi Controller software v5.11.31 or newer (available at: ui.com/download/unifi)

Hardware Overview



1 LED	
White	Factory default, waiting to be integrated.
Flashing White	Initializing.
Alternating White/Blue	Device is busy; do not touch or unplug it. This usually indicates that a process such as a firmware upgrade is taking place.
Blue	Indicates the device has been successfully integrated into a network and is working properly.



Quickly Flashing Blue	When you click Locate in the UniFi Controller software, the AP will flash. It will also display the location of the AP on the map.
Steady Blue with Occasional Flashing	Indicates the device is in an isolated state (all WLANs are brought down until an uplink is found).
2 Ethernet Port	
This Gigabit Ethernet port is used to connect 802.3af PoE power and should be connected to the LAN and DHCP server.	
3 Reset Button	
The Reset button serves two functions for the UniFi AP: <ul style="list-style-type: none">• Restart Press and release the Reset button quickly.• Restore to Factory Default Settings Press and hold the Reset button for more than five seconds.	

Installation

Determine the installation location of the UAP FlexHD:

- **Desktop** The UAP FlexHD stands freely on a horizontal surface such as a desktop or table/shelf. Good for temporary installations.
- **Wall** The UAP FlexHD is attached to a wall in a secure location.
- **Ceiling** The UAP FlexHD is mounted in a ceiling tile (requires optional recessed ceiling mount assembly, sold separately).
- **Pole** The UAP FlexHD is attached to a pole (indoor or outdoor).



Note: When installing Ethernet cabling on a pole or up the outer surface of a wall, use RJ45 connectors without strain-relief boots on them. This will prevent unnecessary tension on the cable ends.



Cable without a strain-relief boot



Cable with a strain-relief boot

Proceed to the appropriate section for your installation.

Desktop

1.



2.



3.

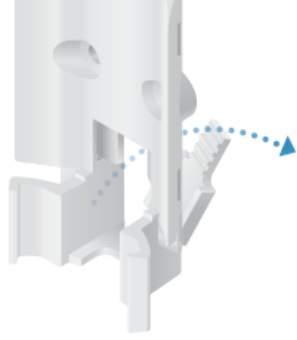


4.

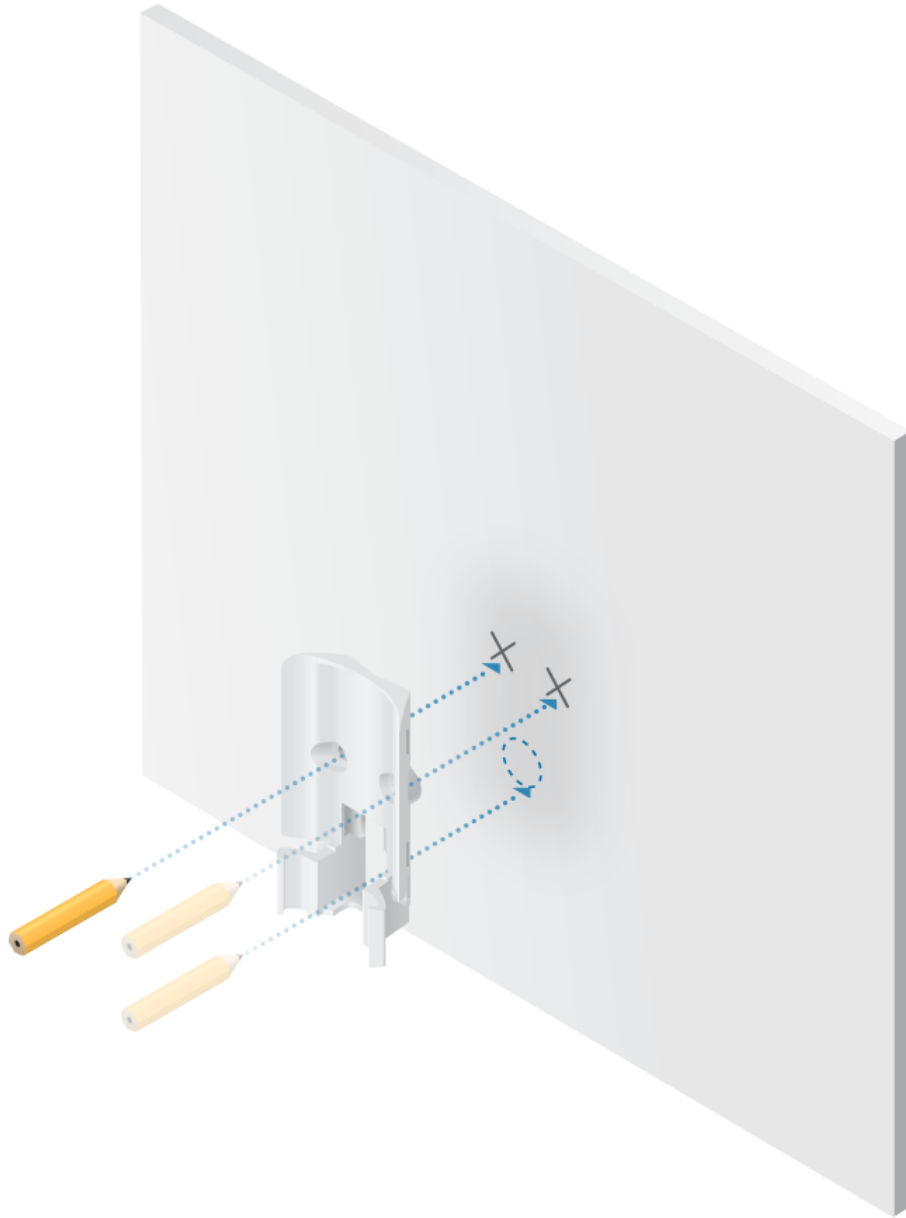


Wall

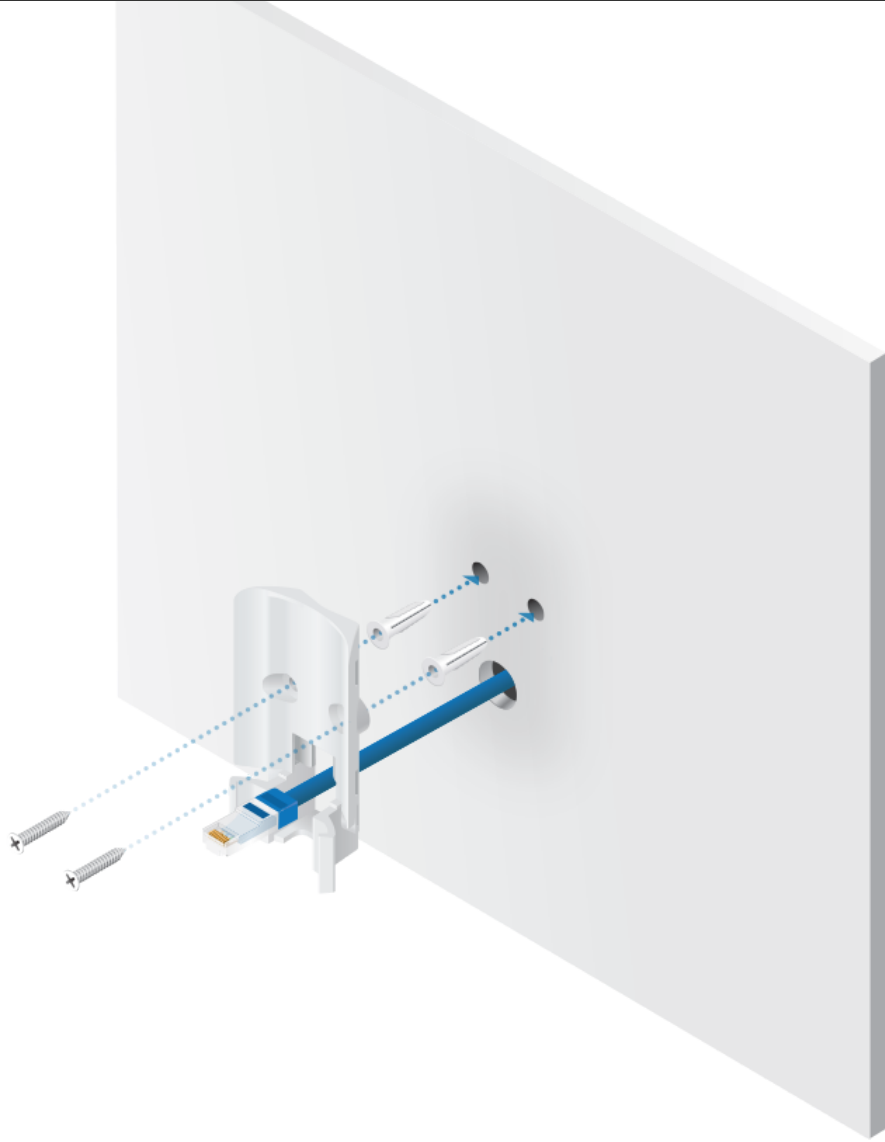
1.



2.



3.



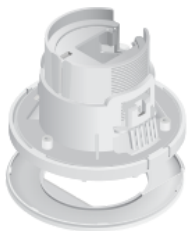
4.



5.

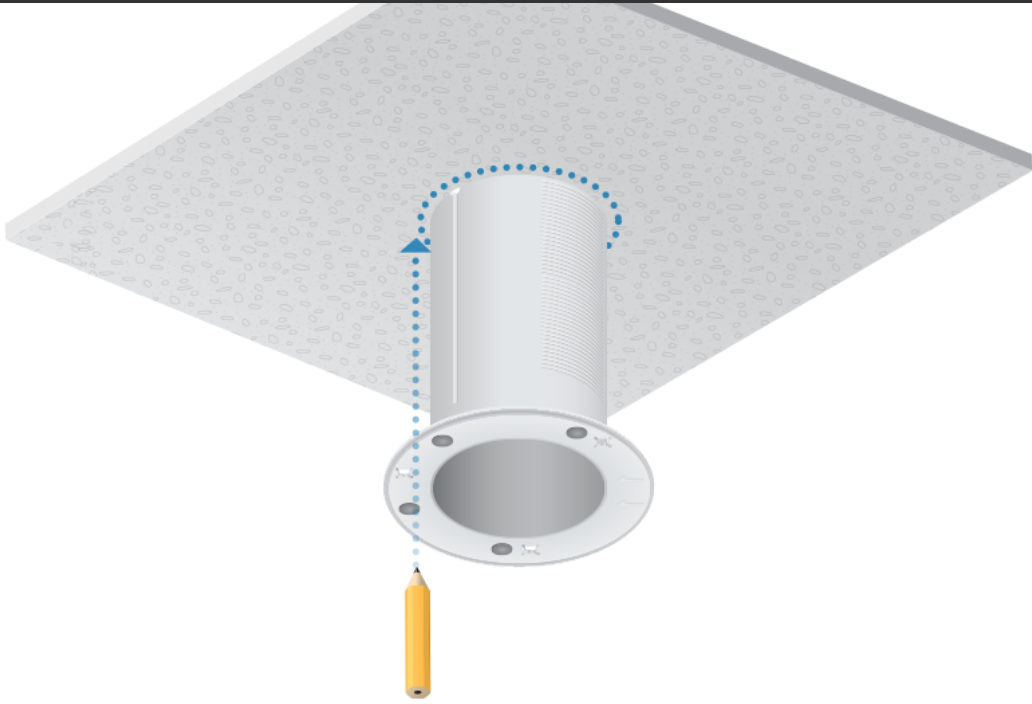


Ceiling (Optional Accessory)

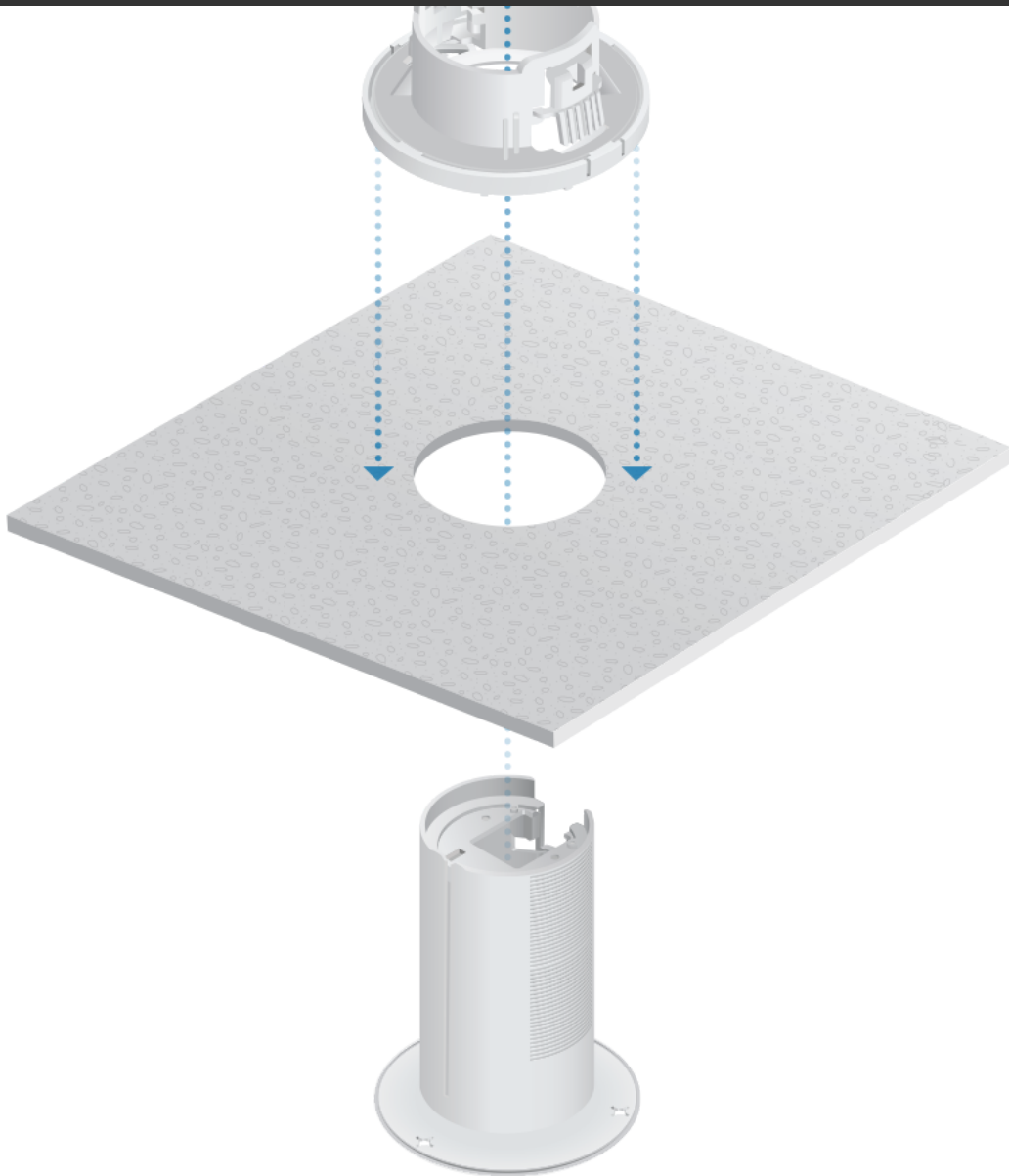


Use the optional Ceiling Mount, Mount Cover, and Back Plate Assembly to install the UAP FlexHD on a drop tile ceiling or horizontal surface where the interior side of the Ceiling Mount is accessible.

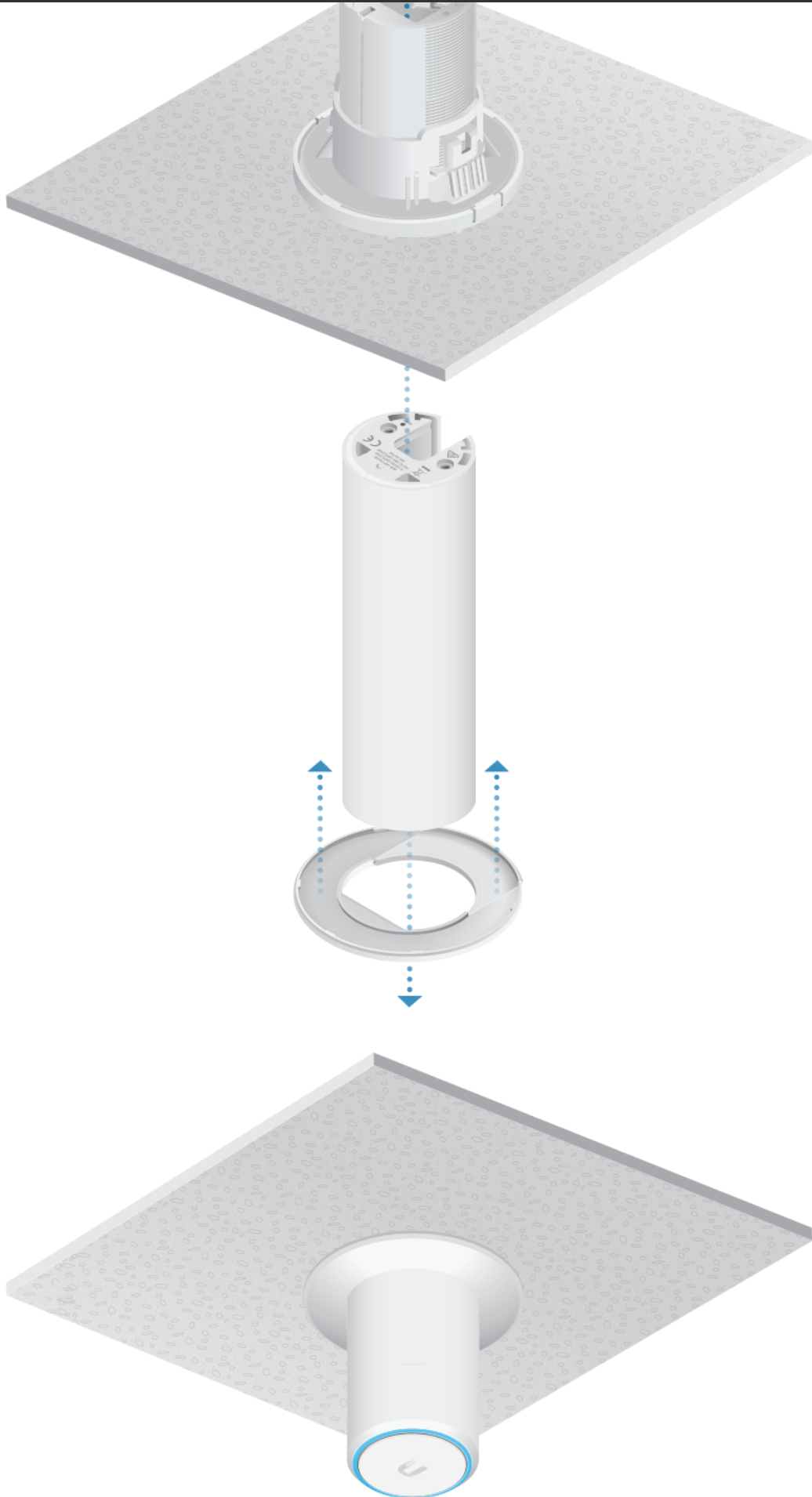
1.



2.



3.

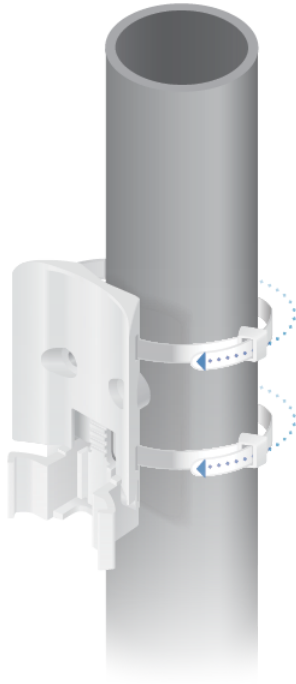


4.



Note: If you are mounting the UAP-FlexHD outdoors, it must be installed in the upright position to prevent water from getting into the base of the device.

1.



2.



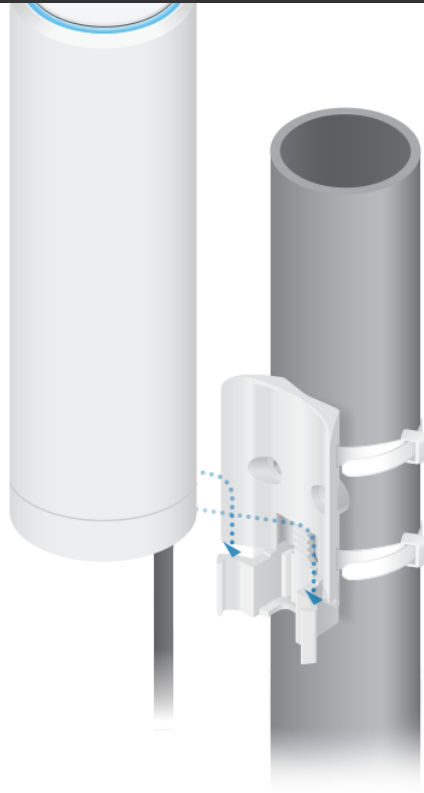
3.



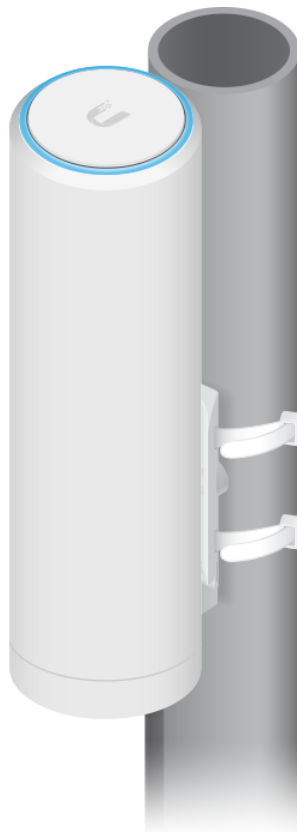
4.



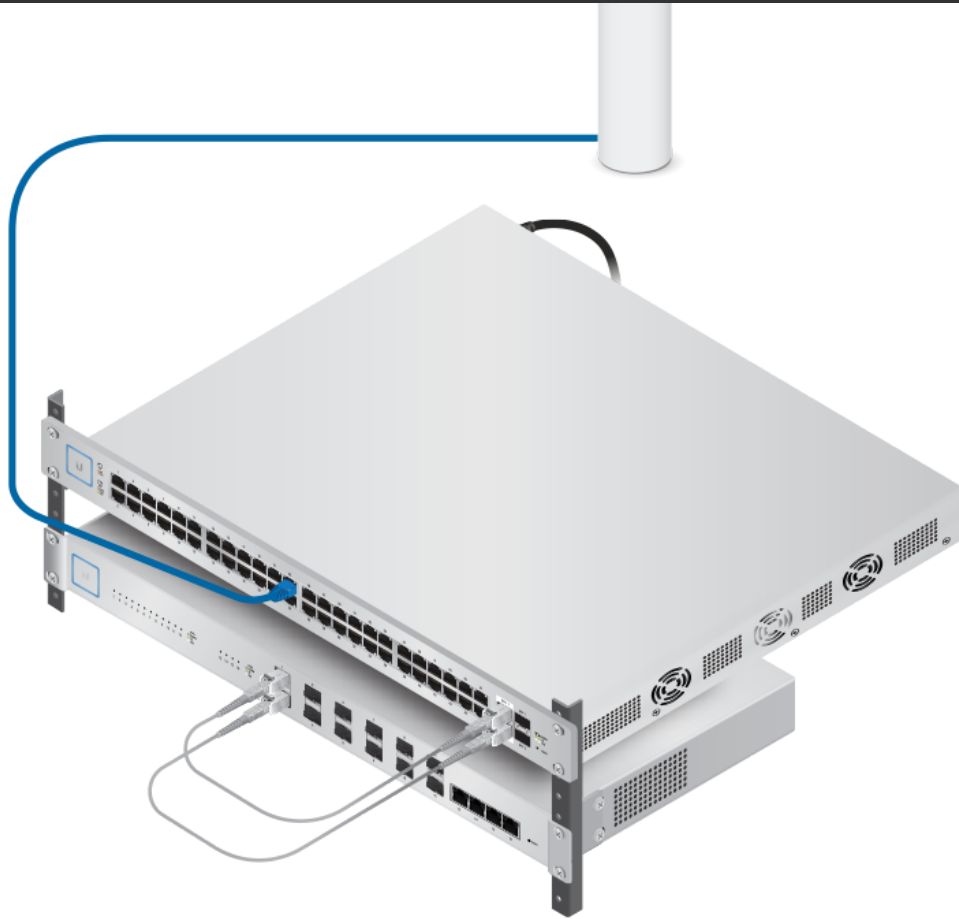
5.



6.



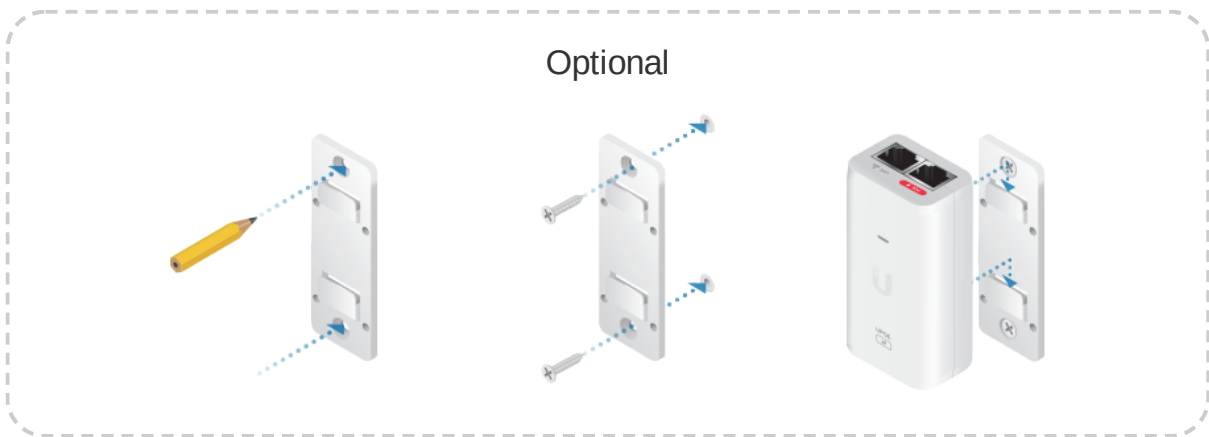
Connecting Power



OR



Optional

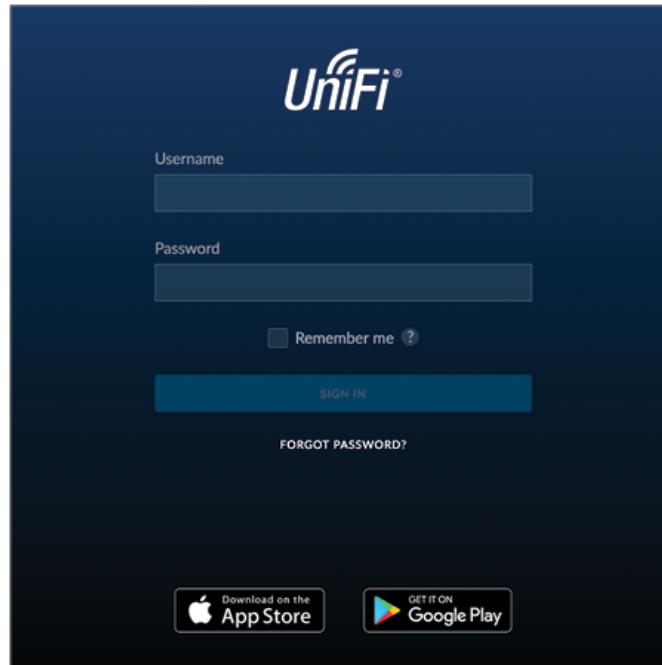


Software Installation



in the User Guide are available at: ui.com/download/unifi

After you have installed the software and run the UniFi Installation Wizard, a login screen will appear for the UniFi Controller management interface. Enter the username and password that you created and click Sign In.



You can manage your wireless network and view network statistics using the UniFi Controller management interface. For information on configuring and using the UniFi Controller software, refer to the User Guide.

Mobile App Installation

Ubiquiti also offers the UniFi app, which is available from the App Store® (iOS) or Google Play™ Store (Android). You can use it to provision a UniFi AP for basic functionality without configuring a UniFi Controller. It also allows seamless provisioning of APs for remote controllers (controllers not on the same Layer 2 network) and easy access to local controllers and those monitored on unifi.ui.com

Specifications

UAP-FlexHD	
Dimensions	Ø 48.50 x 159.49 mm (1.90 x 6.28")
Weight	315 g (0.69 lb)
Networking Interface	(1) 10/100/1000 Ethernet Port
Button	Reset
LED	System
Power Method	802.3af PoE



Power Supply	802.3af PoE 48V, 0.32A Gigabit PoE Adapter
Max. Power Consumption	10.5W
Supported Voltage Range	44 - 57VDC
Operating Frequency	2.4 GHz 5 GHz
Max. TX Power	2.4 GHz: 23 dBm 5 GHz: 26 dBm
Throughput	2.4 GHz: 300 Mbps 5 GHz: 1733 Mbps
Antenna Gain	2.4 GHz: 1.6 dBi 5 GHz: 4 dBi
Wi-Fi Standards	802.11 a/b/g/n/ac/ac-wave2
Wireless Security	WEP, WPA-PSK, WPA-Enterprise (WPA/WPA2, TKIP/AES)
Mounting	Desktop/Wall/Ceiling/Pole
Operating Temperature	-30 to 70° C (-22 to 158° F)
Operating Humidity	5 to 95% Noncondensing
Certifications	CE, FCC, IC

Safety Notices

1. Read, follow, and keep these instructions.
2. Heed all warnings.
3. Only use attachments/accessories specified by the manufacturer.



WARNING: Do not use this product in location that can be submerged by water.



WARNING: Avoid using this product during an electrical storm. There may be a remote risk of electric shock from lightning.

Electrical Safety Information

1. Compliance is required with respect to voltage, frequency, and current requirements indicated on the manufacturer's label. Connection to a different power source than those specified may result in improper operation, damage to the equipment or pose a fire hazard if the limitations are not followed.



3. This equipment is provided with a detachable power cord which has an integral safety ground wire intended for connection to a grounded safety outlet.
 - a. Do not substitute the power cord with one that is not the provided approved type. Never use an adapter plug to connect to a 2-wire outlet as this will defeat the continuity of the grounding wire.
 - b. The equipment requires the use of the ground wire as a part of the safety certification, modification or misuse can provide a shock hazard that can result in serious injury or death.
 - c. Contact a qualified electrician or the manufacturer if there are questions about the installation prior to connecting the equipment.
 - d. Protective earthing is provided by Listed AC adapter. Building installation shall provide appropriate short-circuit backup protection.
 - e. Protective bonding must be installed in accordance with local national wiring rules and regulations.

Limited Warranty

ui.com/support/warranty

The limited warranty requires the use of arbitration to resolve disputes on an individual basis, and, where applicable, specify arbitration instead of jury trials or class actions.

Compliance

FCC

Changes or modifications not expressly approved by the party responsible for compliance could void the user's authority to operate the equipment.

This device complies with Part 15 of the FCC Rules. Operation is subject to the following two conditions.

1. This device may not cause harmful interference, and
2. This device must accept any interference received, including interference that may cause undesired operation.

This equipment has been tested and found to comply with the limits for a Class A digital device, pursuant to part 15 of the FCC Rules. These limits are designed to provide reasonable protection against harmful interference when the equipment is operated in a commercial environment. This equipment generates, uses, and can radiate radio frequency energy and, if not installed and used in accordance with the instruction manual, may cause harmful interference to radio communications. Operations of this equipment in a residential area is likely to cause harmful interference in which case the user will be required to correct the interference at his own expense.

This radio transmitter has been approved by FCC.

ISED Canada

CAN ICES-3(A)/NMB-3(A)

This device complies with ISED Canada licence-exempt RSS standard(s). Operation is subject to the following two conditions:



operation of the device.

This radio transmitter has been approved by ISED Canada.

The device for operation in the band 5150-5250 MHz is only for indoor use to reduce the potential for harmful interference to co-channel mobile satellite systems.

CAN ICES-3(A)/NMB-3(A)

Le présent appareil est conforme aux CNR d'ISDE Canada applicables aux appareils radio exempts de licence. L'exploitation est autorisée aux deux conditions suivantes :

1. l'appareil ne doit pas produire de brouillage;
2. l'appareil doit accepter tout brouillage radioélectrique subi, même si le brouillage est susceptible d'en compromettre le fonctionnement.

Le présent émetteur radio a été approuvé par ISDE Canada.

Les dispositifs fonctionnant dans la bande 5150-5250 MHz sont réservés uniquement pour une utilisation à l'intérieur afin de réduire les risques de brouillage préjudiciable aux systèmes de satellites mobiles utilisant les mêmes canaux.

IMPORTANT NOTE

Radiation Exposure Statement

- This equipment complies with radiation exposure limits set forth for an uncontrolled environment.
- This equipment should be installed and operated with minimum distance 21 cm between the radiator and your body.
- This transmitter must not be co-located or operating in conjunction with any other antenna or transmitter.

AVIS IMPORTANT

Déclaration sur l'exposition aux rayonnements

- Cet équipement est conforme aux limites prévues pour l'exposition aux rayonnements dans un environnement non contrôlé.
- Lors de l'installation et de la mise en fonctionnement de l'équipement, assurez-vous qu'il y ait une distance minimale de 21 cm entre l'élément rayonnant et vous.
- Cet émetteur ne doit être installé à proximité d'aucune autre antenne ni d'aucun autre émetteur, et ne doit être utilisé conjointement à aucun autre de ces appareils.

Australia and New Zealand



Warning: This equipment is compliant with Class A of CISPR 32. In a residential environment this equipment may cause radio interference.

Brazil

Nota: Este equipamento não tem direito à proteção contra interferência prejudicial e não pode causar interferência em sistemas devidamente autorizados.



CE Marking

CE marking on this product represents the product is in compliance with all directives that are applicable to it.



Country List



AT	BE	BG	CY	CZ	DE	DK	EE	EL	ES	FI	FR	HR	HU
IE	IT	LV	LT	LU	MT	NL	PL	PT	RO	SE	SI	SK	UK

BFWA (Broadband Fixed Wireless Access) members noted in blue



Note: This device meets Max. TX power limit per ETSI regulations.

The following apply to products that operate in the 5 GHz frequency range:



Note: This device is restricted to indoor use only when operating in the 5150 - 5350 MHz frequency range within all member states.



Note: All countries listed may operate at 30 dBm. BFWA member states may operate at 36 dBm.



Note: Operation in the 5.8 GHz frequency band is prohibited in BFWA member states. Other countries listed may use the 5.8 GHz frequency band.

WEEE Compliance Statement

Declaration of Conformity

Online Resources

